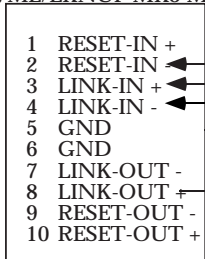


LINK CONNECTOR OF THE
2TP-VME/LKNUF-MK3 MODULE

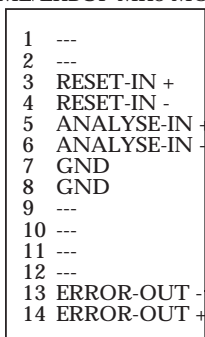


CONNECTOR OF THE
CAPLIN BOARD



Figure 4.
An unbalanced
connection between the
2TP-VME-LA module
and the CAPLIN-2T
board.

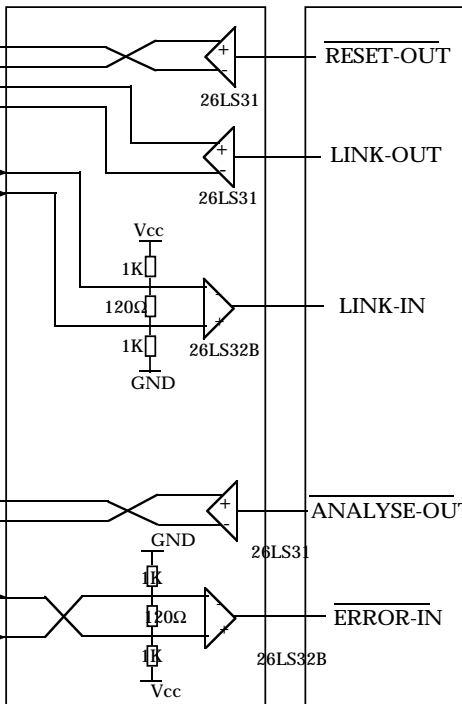
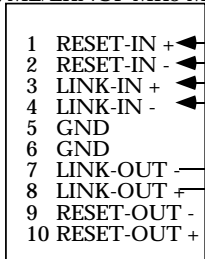
ANA-RST-ERR CONNECTOR OF THE
2TP-VME/LKBUF-MK3 MODULE



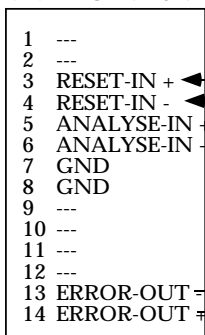
(option)

Figure 5. A balanced
connection between the
2TP-VME-LA module
and the CAPLIN-2T
board.

LINK CONNECTOR OF THE
2TP-VME/LKNUF-MK3 MODULE



ANA-RST-ERR CONNECTOR OF THE
2TP-VME/LKBUF-MK3 MODULE



(option)